

# PRODUCT INFORMATION PACKET

Model No: 365TTFS9230  
Catalog No: Y390  
60,1800/900,TEFC,365T,3/60/460  
Other Purpose



Regal and Marathon are trademarks of Regal Beloit Corporation or one of its affiliated companies.  
©2018 Regal Beloit Corporation, All Rights Reserved. MC017097E



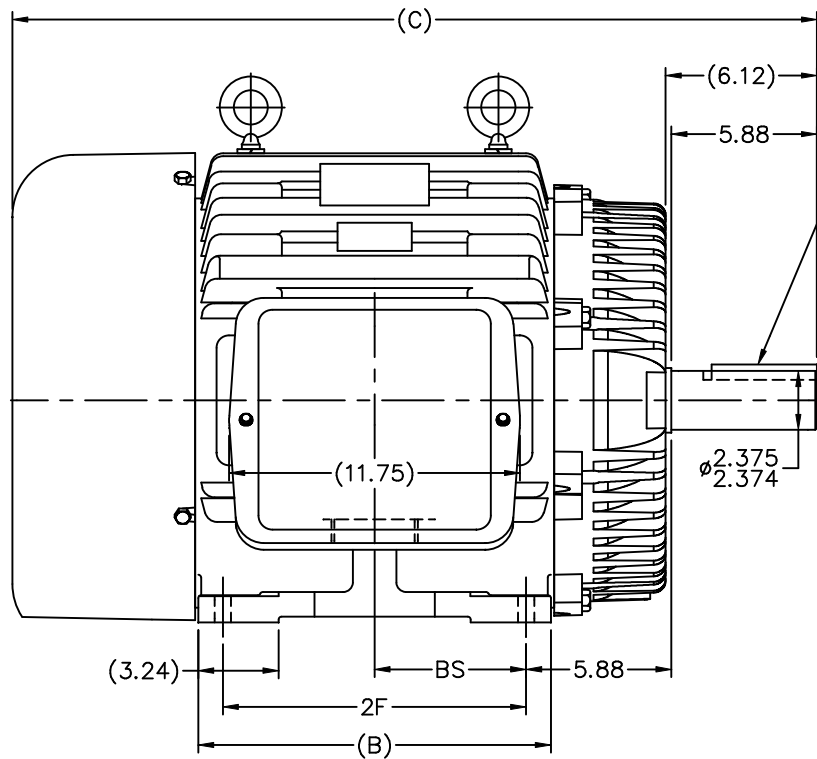
### Nameplate Specifications

Output HP	<b>60,15 Hp</b>	Output KW	<b>45.0 kW</b>
Frequency	<b>60 Hz</b>	Voltage	<b>460 V</b>
Current	<b>74.5,25 A</b>	Speed	<b>1780,885 rpm</b>
Service Factor	<b>1.15</b>	Phase	<b>3</b>
Efficiency	<b>92.4 %</b>	Duty	<b>Continuous</b>
Insulation Class	<b>F</b>	Design Code	<b>1VT</b>
KVA Code	<b>H</b>	Frame	<b>365T</b>
Enclosure	<b>Totally Enclosed Fan Cooled</b>	Overload Protector	<b>No</b>
Ambient Temperature	<b>40 °C</b>	Drive End Bearing Size	<b>6314</b>
Opp Drive End Bearing Size	<b>6312</b>	UL	<b>Recognized</b>
CSA	<b>Y</b>	CE	<b>Y</b>
IP Code	<b>55</b>		

### Technical Specifications

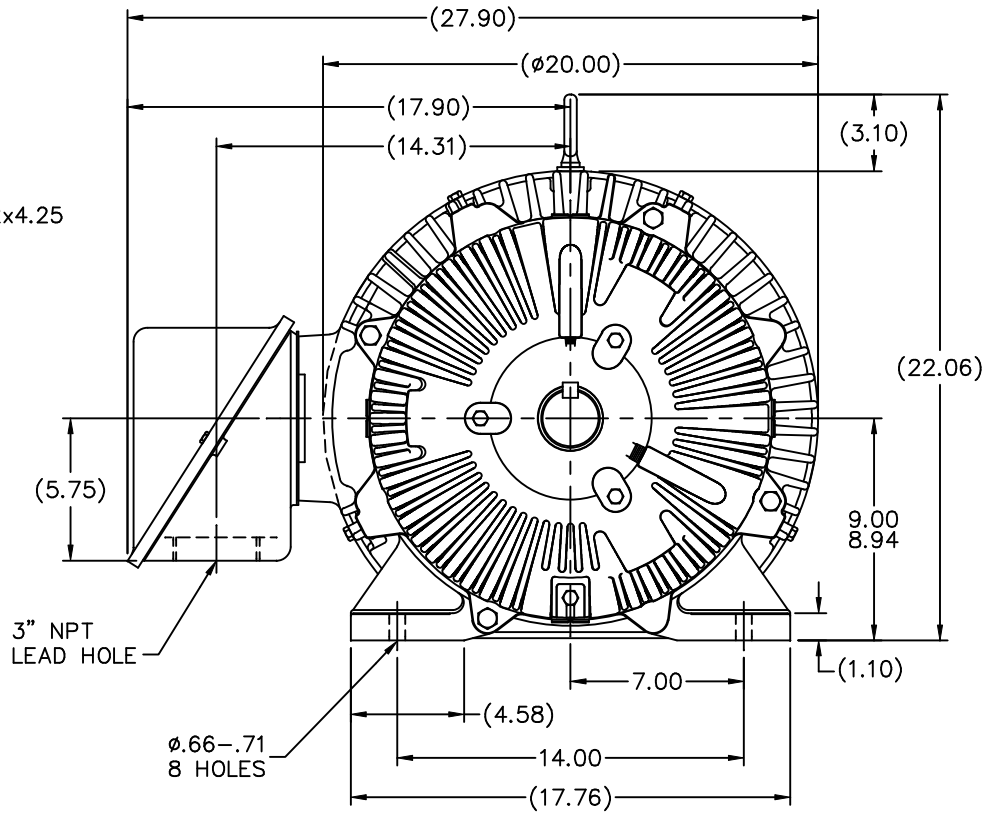
Electrical Type	<b>Squirrel Cage Induction Run</b>	Starting Method	<b>Across The Line</b>
Poles	<b>4/8</b>	Rotation	<b>Reversible</b>
Mounting	<b>Rigid base</b>	Motor Orientation	<b>Horizontal</b>
Drive End Bearing	<b>Ball</b>	Opp Drive End Bearing	<b>Ball</b>
Frame Material	<b>Cast Iron</b>	Shaft Type	<b>T</b>
Overall Length	<b>32.5 in</b>	Frame Length	<b>14.50 in</b>
Shaft Diameter	<b>2.375 in</b>	Shaft Extension	<b>6.12 in</b>
Assembly/Box Mounting	<b>F1/F2 Capable</b>		
Outline Drawing	<b>B-SS518180-1450</b>	Connection Diagram	<b>A-EE7322</b>

This is an uncontrolled document once printed or downloaded and is subject to change without notice. Date Created: 06/29/2018



.62x.62x4.25  
KEY

2.375  
2.374

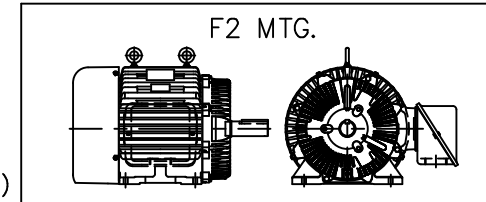


3" NPT  
LEAD HOLE

ø.66-.71  
8 HOLES

NOTES:

1. CONDUIT BOX CAN BE ROTATED IN 90° STEPS.
2. CONDUIT BOX CAN BE MOUNTED ON OPPOSITE SIDE BY REMOVING BRACKETS AND TURNING FRAME 180°.
3. NAMEPLATE TO BE READ FROM CONDUIT BOX SIDE OF MOTOR



(B-SS508590)

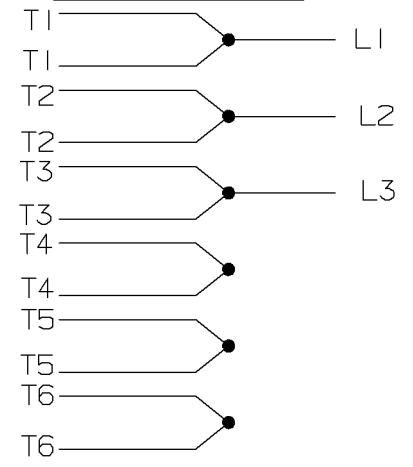
DASH	FRAME	B	C	2F	BS
1350	364T	13.25	31.50	11.25	5.62
1450	365T	14.25	32.50	12.25	6.12

				TOLERANCES UNLESS SPECIFIED		MARATHON ELECTRIC		DRAWN DMT 01-23-2001	
				DEC.	INCHES			CHK	JHL 01-23-2001
				.X	±.1			APPD	JES 01-23-2001
				.XX	±.03	TITLE OUTLINE - TEFC/CEE		SCALE 1=5	
2	REDRAWN IN AUTOCAD	TAT 07-06-2004	ML	.XXX	±.005	360T FR. - TAPPED LEAD HOLE - (STD)		REF	
1	NEW DRAWING - DEV. ENG.	CN 30253	DMT 01-23-2001	.XXXX	±.0005	MAT'L		FMF	
NO.	REVISION	BY & DATE	CHK	ANG	±7'30"	FINISH		PREV	
THIS DRAWING IN DESIGN AND DETAIL IS OUR PROPERTY AND MUST NOT BE USED EXCEPT IN CONNECTION WITH OUR WORK ALL RIGHTS OF DESIGN AND INVENTION ARE RESERVED THIS IS AN ELECTRONICALLY GENERATED DOCUMENT - DO NOT SCALE THIS PRINT				RFP		CAD FILE ss518180		SIZE	DRAWING NO. PAGE OF REV.
				DIST	WA	B	SS518180	2	

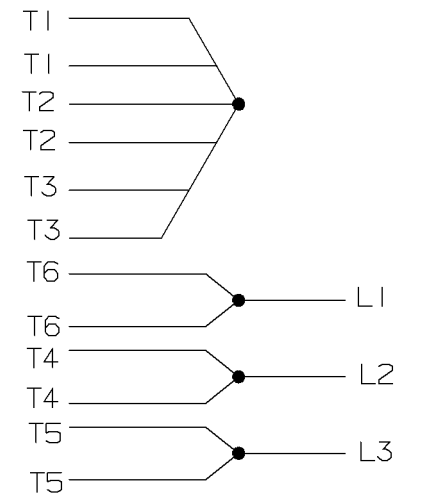
A- EE7322

FOR DUAL LEADS

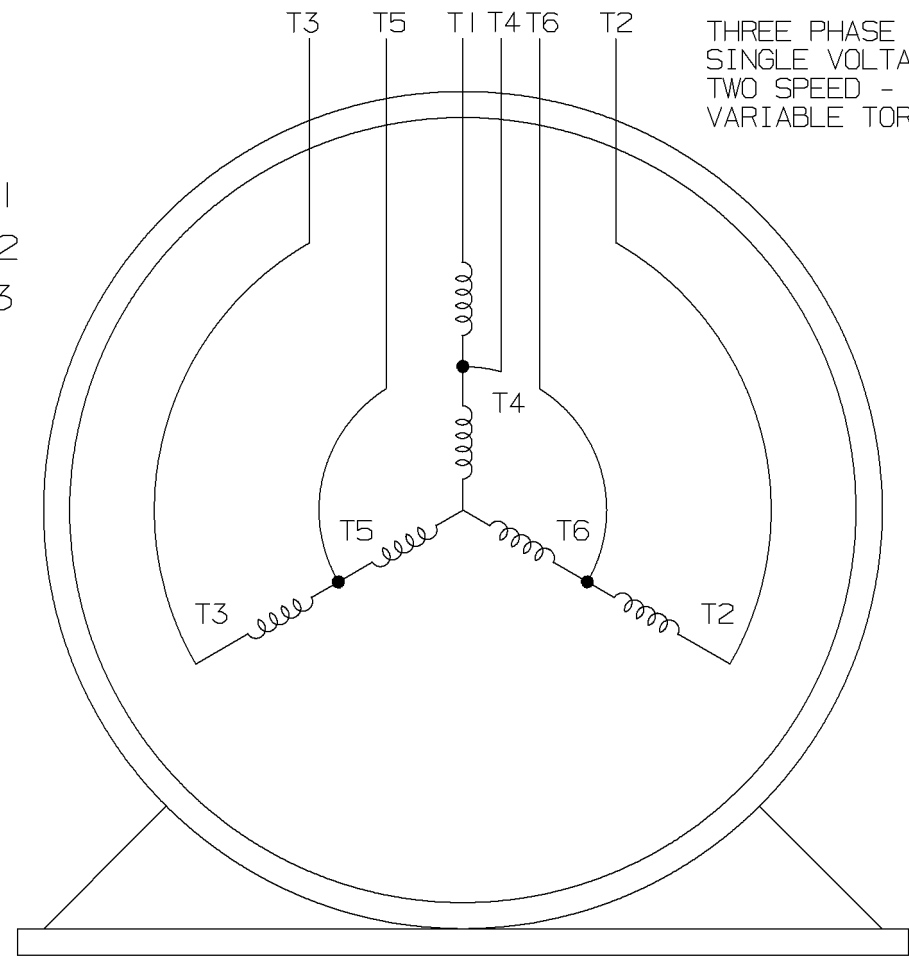
LOW SPEED



HIGH SPEED

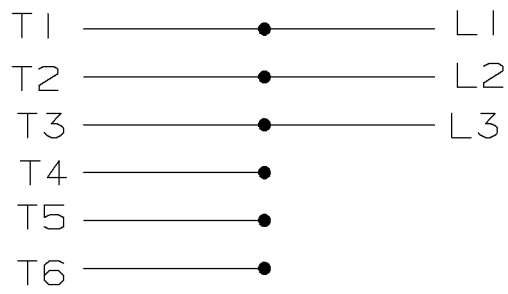


THREE PHASE MOTOR  
SINGLE VOLTAGE  
TWO SPEED - SGL. WDG.  
VARIABLE TORQUE

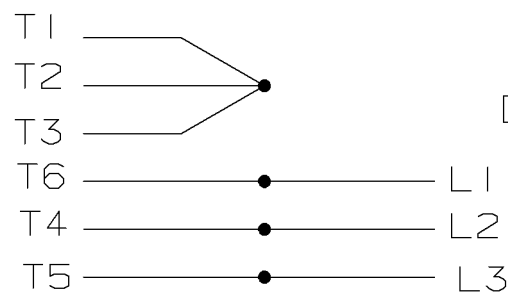


VIEW OF TERMINAL END

LOW SPEED



HIGH SPEED



T612C  
T48B

				✓ MAX. SURFACE ROUGHNESS UNLESS NOTED OTHERWISE	UNLESS OTHERWISE SPECIFIED DIMENSIONS ARE IN INCHES TOL. ON XX±    XXX±.005    XXXX±.0005    ANGLES±		
				MATL SPEC			DRAWN BY PGK 12-26-1996
				FINISH	MARATHON ELECTRIC		CHKD BY ML 01-07-1997
7	01-08-1997	REDRAWN ON CADD	PGK	REFERENCE DRW.	WAUSAU, WISCONSIN 54401		APPD BY TB 01-07-1997
REV	DATE	CHANGE	NAME	PART NAME	CONNECTION DIAGRAM		DRWG NO
				3Ø - SINGLE VOLTAGE - 2 SPEED		A- EE7322	

SHOP BOOK    PURCHASED    DISTRIBUTION - WA - LB - WP - LM - BR    CADD FILE NO.    EE7322

